

# PROMISES ARE REALIZED WHEN TECHNOLOGY MEETS WISE.

Purella offers a wide range of RO Water-Filtration systems, which bring happiness, through health surety, into your lives, using innovative and advanced technologies. Our products ensure ease of installation and functionality, space optimality, least amount of maintenance and sense of responsibility towards the environment.

We understand the value of water.

HENCE, WE DIRECT OUR ACTIONS TOWARDS ADDING VALUE TO IT  
WITH TECHNOLOGICALLY INTELLIGENT PURELLA PRODUCTS!

**ZERO DISEASE**  
caused by bacteria,  
virus and protozoa



**VALUE FOR  
MONEY**



**LESS  
MAINTENANCE**



**FULLY  
AUTOMATIC**



# purella

RESIDENTIAL RO SYSTEMS

Pure Values. Pure Actions.



## E-Platina

Purella Value:



**NATURAL  
WATER TASTE**



**USER  
FRIENDLY**



**SPACE SAVING**

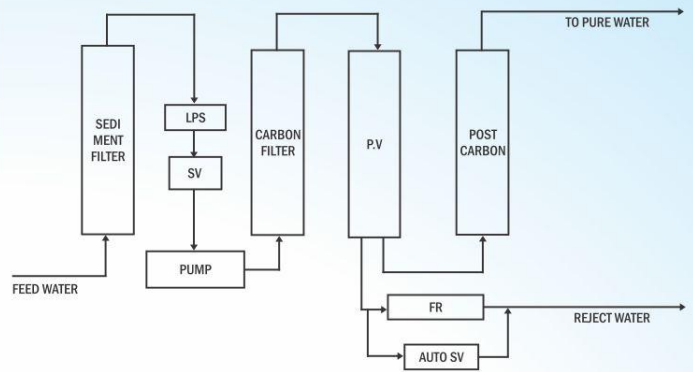


**PROMPT AFTER  
SALES SERVICE**

Purella Features :

- Fully automatic
- Built in SMPS to operate within 160 V- 290 V AC Voltage
- Push-fit connectors for leak- proof and maintenance free performance
- Suitable for water up to 2000 PPM TDS
- Dry run protection of pump
- Unique membrane cleaning system to ensure superior & effective membrane performance
- Food grade engineering plastic Construction and corrosion free life span
- Water available on demand even without power
- Ensures a constant refill into the tank & makes water available

Purella Technology:



Specifications :

Model Type	Counter Top
Model	E-Platina
Production capacity	8-10 LPH
Reservoir tank capacity	8 ltrs
Membrane	Thin Film Composite
Purifying Technology	Reverse Osmosis
Filtration Stages	5
Unit Dimension(LxBxH) in mm.	410X305X485
Unit Weight (Approx)in Kgs.	8.7
Power Rating in watts	30W
TDS reduction in % ( approx)	90%
Duty Cycle	5 hours

RECOMMENDED INPUT WATER CONDITIONS

Total Dissolved Solids	2000ppm
Total Hardness	250 ppm
input Water Temperature	10~40c
pH	6.5~8.5
Iron Content	.1 mg/li (max)
Inlet Pressure	.5kg/cm2 (min)

As part of the continuing research & development programme, specifications are subject to change without prior notice.

Your Dealer

**purella**  
RESIDENTIAL RO SYSTEMS  
Pure Values. Pure Actions.

From the house of



**Sarjan Watertech India Pvt. Ltd.**

75, Nalanda Complex, Nr. Mansi Complex, Vastrapur, Ahmedabad - 380 015. Gujarat. India.

Phone : +91-79-26763082 / 26761839 Fax : +91-79-26760116 E-mail : contact@purella.in | Web: www.purella.in